



THORACOLUMBAR

SFS™

SPINAL FIXATION SYSTEM

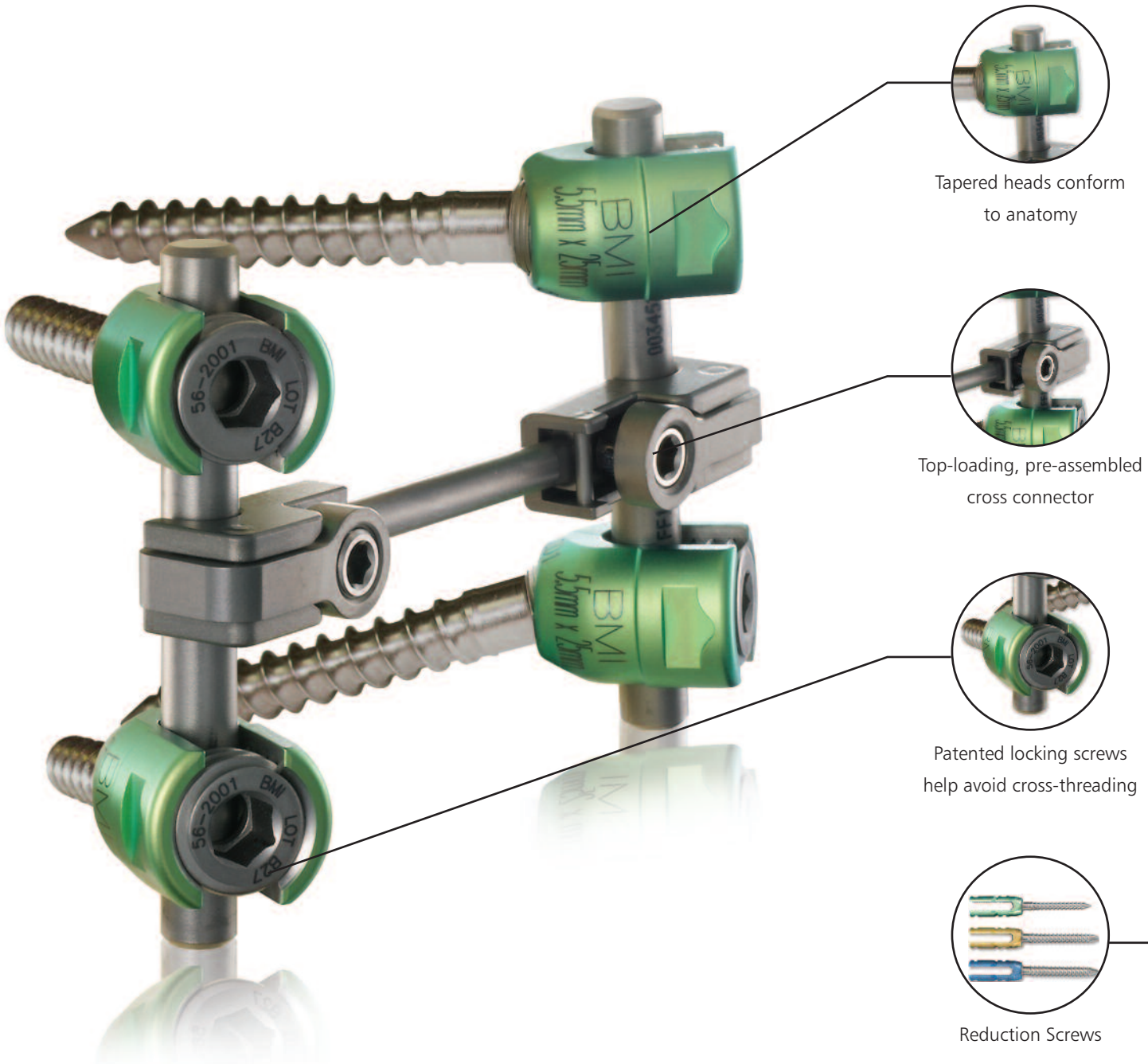


SFS™

SPINAL FIXATION SYSTEM

The SFS System™ provides simple, reliable and comprehensive stabilization solutions for spinal fixation. Its patented innovations enable surgeons to work efficiently with surety.

The pedicle screws provide a full 42° multi-axial range of motion that, in conjunction with their uniquely tapered heads, are more accommodating to variables in patient anatomy/pathology. This simplifies screw placement and reduces the need for rod bending. Additionally, the fixation screw utilizes patented buttress threads that minimize the potential for misalignment or cross-threading.



Tapered heads conform to anatomy

Top-loading, pre-assembled cross connector

Patented locking screws help avoid cross-threading

Reduction Screws

Depth of Sizes in Supplementary Fixation Implants

SFS offers more solutions for the surgeon with a broad selection of spacers, washers, staples, rod connectors and reduction screws. Our 3.0mm to 5.5mm rod-to-rod connectors adjoin SFS with the Ascent and Ascent LE POCT (Posterior Occipital Cervical Thoracic) Systems, and our 5.5mm to 5.5mm rod connectors create a contiguous assembly with coaxial or parallel rod attachment.

- A wide array of standard and self-tapping pedicle screws for added versatility
- A broad selection of reduction screws

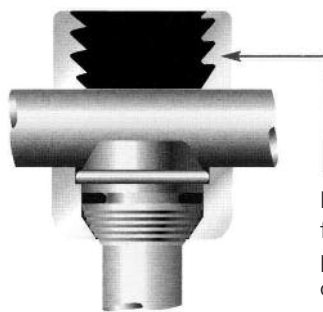


Offering a broad selection of implants to meet surgical needs

Innovative Design Simplifies Procedures

The SFS design is elegant in its simplicity. The single closure locking mechanism for all implants means more efficiency. The multi-axial cross connectors provide multiple ranges of motion (rotation, angulation, translation) yet require only two lock-down screws to be secured. The cross connectors also feature one-step-locking for additional construct stability and a top loading design, so there's no need for patient repositioning.

- Advanced buttress thread design allows simple and secure engagement of the set screw
- The Multi-Axial Cross-Connectors permit three planes of manipulation
- Self-adjusting taper lock design in the multi-axial screw creates a secure and strong locking mechanism



Innovative design increases axial forces on the rod and minimizes the potential for mis-alignment and cross-threading of the set screw



Offering a broad selection of Reduction and Pedicle Screws

SIMPLE YET COMPREHENSIVE, RELIABLE AND AMAZINGLY VERSATILE

The Spinal Fixation System's (SFS) pedicle screw and rod assembly offers an expansive, low-profile and efficient spinal fixation system able to address the most complex spinal pathologies. Each component of the system has been engineered to match the real conditions surgeons face during a procedure, utilizing patented design advantages to benefit both surgeon and patient.

The Right Tools

Easy-to-use SFS pedicle screw system instruments and implants provide reliable, simple, and secure spinal fixation.

- Color-coded for easy selection during procedures; ergonomic case/tray system
- Interchangeable ratcheting instrument handles



- A. Multi-Axial Reduction Screw Driver
- B. Rigid Hook Holder
- C. Hook Pusher
- D. Bone Tap
- E. Mono-Axial Reduction Screw Driver



INSTRUMENTATION & IMPLANTS

INSTRUMENTS

52-1035	F-F Implant Inserter	55-1043	Rod Holder	55-1069	Self-Center Counter Torque Wrench
55-1001	Bone Awl	55-1044	Rocker	55-1070	Distractor
55-1002	Bone Probe	55-1045	Locking Pliers	55-1071	Compressor
55-1003	Curved Bone Probe	55-1046	In-Situ Rod Bender, Right	55-1072	Cross Connector Bender, Left
55-1004	Straight Sounder	55-1047	In-Situ Rod Bender, Left	55-1073	Cross Connector Bender, Right
55-1005	Curved Sounder	55-1048	Linear Rod Reducer	55-1089	Cross Connector Torque Limiting Driver
55-1006	X-Ray Marker, Right	55-1049	Rod Pusher	55-1090	SFS Case #1
55-1007	X-Ray Marker, Left	55-1050	Screw Sizing Template	55-1091	SFS Case #2
55-1025	5.5mm Bone Tap	55-1060	Set Screw Driver/Holder	55-1093	SFS Case #3
55-1026	6.5mm Bone Tap	55-1061	Set Screw Driver (w/ 55-1065)	55-1095	Cross Conn. Template 30 & 35mm
55-1027	7.5mm Bone Tap	55-1062	Set Screw Intermediate Driver	55-1096	Cross Conn. Template 40 & 45mm
55-1028	8.5mm Bone Tap	55-1063	Multi-Axial Adjustment Driver	55-1097	Cross Conn. Template 50 & 55mm
55-1030	Ratcheting Handle	55-1064	Self-Centering Set Screw Driver (Only use with 55-1069)	55-1098	Cross Conn. Template 60 & 65mm
55-1031	Ratcheting T-Handle	55-1065	Deflection Beam Torque Wrench (non-ratchet)	55-1099	Cross Conn. Template 70, 75 & 80mm
55-1035	Mono-Axial Screw Driver	55-1066	Set Screw Counter Torque Wrench	55-1150	Staple Holder/Impactor
55-1036	Multi-Axial Screw Driver, Nut	55-1067	Torque T-Handle 120 in-lbs		
55-1037	Multi-Axial Screw Driver, Wing	55-1068	Torque T-Handle 100 in-lbs		
55-1041	Pin Cutter				
55-1042	Rod Bender				

DISPOSABLE INSTRUMENTS

55-1055	Trial Rod 90mm
55-1056	Trial Rod 200mm
55-1057	Trial Rod 450mm

REDUCTION SCREW INSTRUMENTS

59-0100	Anti-Splay Tool	59-1035	Mono-Axial Reduction Screw Driver
59-0200	Scalloped Anti-Splay Tool	59-1037	Multi-Axial Reduction Screw Driver
59-0300	Reduction Screw Head Adjuster	59-1090	SFS Reduction Screw Case
59-0400	Tab Removal Tool		

HOOK INSTRUMENTS

57-0001	Reg Hook Holder, Straight	57-0025	Hook, Lateral Rod Reducer	57-0047	Hook Set Screw Torque T-Handle/80 in lbs
57-0003	Reg Hook Holder, Angled	57-0026	Lever, Hook Lateral Rod Reducer	57-0050	Combination Wrench, 5mm
57-0005	Lateral Hook Holder, Straight	57-0027	Set Screw Driver (Spline Drive)	57-0051	Rod Clamp
57-0007	Lateral Hook Holder, Angled	57-0035	Transverse Process Elevator	57-1015	Cross Conn Template - 15 & 17mm
57-0009	Rod Rocker	57-0037	Pedicle Elevator	57-1019	Cross Conn Template - 19 & 21mm
57-0020	Rigid Hook Holder	57-0040	Lamina Elevator	57-1023	Cross Conn Template - 23 & 25mm
57-0022	Hook Linear Rod Reducer	57-0045	Set Screw Driver/Holder	57-1090	Hook Instrument Case
57-0023	Hook Pusher				

4.5 MM INSTRUMENTS

57-0010	4.5mm Bone Tap w/35mm Stop	57-0032	Bone Probe Straight 4.5mm	55-1093	Ancillary Instrument Case #3, Deformity
57-0011	3.5mm Bone Tap w/30mm Stop	57-0042	Bone Awl		
57-0030	Bone Probe Curved 4.5mm				

* Manufactured to order

STANDARD MULTI-AXIAL SCREW

56-3425	4.5mm x 25mm	56-3550	5.5mm x 50mm	56-3670*	6.5mm x 70mm	56-3825	8.5mm x 25mm
56-3430	4.5mm x 30mm	56-3555	5.5mm x 55mm	56-3675*	6.5mm x 75mm	56-3830	8.5mm x 30mm
56-3435	4.5mm x 35mm	56-3560*	5.5mm x 60mm	56-3680*	6.5mm x 80mm	56-3835	8.5mm x 35mm
56-3440	4.5mm x 40mm	56-3565*	5.5mm x 65mm	56-3725	7.5mm x 25mm	56-3840	8.5mm x 40mm
56-3445	4.5mm x 45mm	56-3570*	5.5mm x 70mm	56-3730	7.5mm x 30mm	56-3845	8.5mm x 45mm
56-3450	4.5mm x 50mm	56-3575*	5.5mm x 75mm	56-3735	7.5mm x 35mm	56-3850	8.5mm x 50mm
56-3455	4.5mm x 55mm	56-3625	6.5mm x 25mm	56-3740	7.5mm x 40mm	56-3855	8.5mm x 55mm
56-3460*	4.5mm x 60mm	56-3630	6.5mm x 30mm	56-3745	7.5mm x 45mm	56-3860	8.5mm x 60mm
56-3465*	4.5mm x 65mm	56-3635	6.5mm x 35mm	56-3750	7.5mm x 50mm	56-3865*	8.5mm x 65mm
56-3470*	4.5mm x 70mm	56-3640	6.5mm x 40mm	56-3755	7.5mm x 55mm	56-3870*	8.5mm x 70mm
56-3525	5.5mm x 25mm	56-3645	6.5mm x 45mm	56-3760	7.5mm x 60mm	56-3875*	8.5mm x 75mm
56-3530	5.5mm x 30mm	56-3650	6.5mm x 50mm	56-3765*	7.5mm x 65mm	56-3880*	8.5mm x 80mm
56-3535	5.5mm x 35mm	56-3655	6.5mm x 55mm	56-3770*	7.5mm x 70mm		
56-3540	5.5mm x 40mm	56-3660	6.5mm x 60mm	56-3775*	7.5mm x 75mm		
56-3545	5.5mm x 45mm	56-3665*	6.5mm x 65mm	56-3780*	7.5mm x 80mm		

SELF-TAPPING MULTI-AXIAL SCREW

58-3425	4.5mm x 25mm	58-3555	5.5mm x 55mm	58-3680*	6.5mm x 80mm	58-3825	8.5mm x 25mm
58-3430	4.5mm x 30mm	58-3560*	5.5mm x 60mm	58-3725	7.5mm x 25mm	58-3830	8.5mm x 30mm
58-3435	4.5mm x 35mm	58-3625	6.5mm x 25mm	58-3730	7.5mm x 30mm	58-3835	8.5mm x 35mm
58-3440	4.5mm x 40mm	58-3630	6.5mm x 30mm	58-3735	7.5mm x 35mm	58-3840	8.5mm x 40mm
58-3445	4.5mm x 45mm	58-3635	6.5mm x 35mm	58-3740	7.5mm x 40mm	58-3845	8.5mm x 45mm
58-3450	4.5mm x 50mm	58-3640	6.5mm x 40mm	58-3745	7.5mm x 45mm	58-3850	8.5mm x 50mm
58-3455	4.5mm x 55mm	58-3645	6.5mm x 45mm	58-3750	7.5mm x 50mm	58-3855	8.5mm x 55mm
58-3525	5.5mm x 25mm	58-3650	6.5mm x 50mm	58-3755	7.5mm x 55mm	58-3860	8.5mm x 60mm
58-3530	5.5mm x 30mm	58-3655	6.5mm x 55mm	58-3760	7.5mm x 60mm	58-3865*	8.5mm x 65mm
58-3535	5.5mm x 35mm	58-3660	6.5mm x 60mm	58-3765*	7.5mm x 65mm	58-3870*	8.5mm x 70mm
58-3540	5.5mm x 40mm	58-3665*	6.5mm x 65mm	58-3770*	7.5mm x 70mm	58-3875*	8.5mm x 75mm
58-3545	5.5mm x 45mm	58-3670*	6.5mm x 70mm	58-3775*	7.5mm x 75mm	58-3880*	8.5mm x 80mm
58-3550	5.5mm x 50mm	58-3675*	6.5mm x 75mm	58-3780*	7.5mm x 80mm		

5.5 MM DIAMETER RODS & SET SCREW

56-2001 Set Screw

LORDOSED SCREWS

54-2040	40mm Rod	54-2080	80mm Rod
54-2050	50mm Rod	54-2090*	90mm Rod
54-2060	60mm Rod	54-2110*	100mm Rod
54-2070	70mm Rod		

STRAIGHT RODS

55-2040	40mm Rod	55-2111	110mm Rod
55-2050	50mm Rod	55-2112	120mm Rod
55-2060	60mm Rod	55-2114	140mm Rod
55-2070	70mm Rod	55-2116	160mm Rod
55-2080	80mm Rod	55-2118	180mm Rod
55-2090	90mm Rod	55-2120	200mm Rod
55-2110	100mm Rod	55-2145	450mm Rod

LATERAL OFFSET CONNECTORS

55-6315	SFS Lateral Offset - 15mm	55-6320	SFS Lateral Offset - 20mm	55-6325	SFS Lateral Offset - 25mm
----------------	---------------------------	----------------	---------------------------	----------------	---------------------------

FIXED CROSS-CONNECTORS

57-5315	15mm Fixed Cross-Connector	57-5319	19mm Fixed Cross-Connector	57-5323	23mm Fixed Cross-Connector
57-5317	17mm Fixed Cross-Connector	57-5321	21mm Fixed Cross-Connector	57-5325	25mm Fixed Cross-Connector

MULTI-AXIAL CROSS-CONNECTORS

55-5325	25mm	55-5345	45mm	55-5365	65mm
55-5330	30mm	55-5350	50mm	55-5370	70mm
55-5335	35mm	55-5355	55mm	55-5375	75mm
55-5340	40mm	55-5360	60mm	55-5380	80mm

HOOK IMPLANTS

57-2001	Set Screw	57-3020	Angled Left Hook	57-3041	Wide Thoracic Laminar Hook
57-2145	450mm Rod with Hex Ends	57-3021	Angled Right Hook	57-3050	Narrow Lumbar Laminar Hook
57-2160	600mm Rod with Hex Ends	57-3030	Offset Left Hook	57-3051	Wide Lumbar Laminar Hook
57-3010	Small Pedicle Hook	57-3031	Offset Right Hook		
57-3011	Large Pedicle Hook	57-3040	Narrow Thoracic Laminar Hook		

DOMINO/SPACERS/WASHERS/STAPLES

55-6003	SFS 3mm Spacer	55-6204	SFS 4mm Staple	52-6800	5.5 x 5.5mm Side By Side Front Loading Rod Connector
55-6005	SFS 5mm Spacer	55-6206	SFS 6mm Staple	55-6805	5.5 x 5.5mm Side By Side Top Loading Rod Connector
55-6102	SFS 2mm Washer	55-6420	5.5 to 5.5mm Axial Rod Connector (Spline Drive)	65-6405	3.0 x 5.5mm Side by Side Front Loading Rod Connector
55-6104	SFS 4mm Washer	65-6425	3.0 to 5.5mm Axial Rod Connector		
55-6106	SFS 6mm Washer	52-6700	5.5 to 5.5mm Axial Rod Connector		
55-6202	SFS 2mm Staple				

MONO-AXIAL SCREWS

55-4425	4.5mm x 25mm	55-4550	5.5mm x 50mm	55-4670*	6.5mm x 70mm	55-4825	8.5mm x 25mm
55-4430	4.5mm x 30mm	55-4555	5.5mm x 55mm	55-4675*	6.5mm x 75mm	55-4830	8.5mm x 30mm
55-4435	4.5mm x 35mm	55-4560*	5.5mm x 60mm	55-4680*	6.5mm x 80mm	55-4835	8.5mm x 35mm
55-4440	4.5mm x 40mm	55-4565*	5.5mm x 65mm	55-4725	7.5mm x 25mm	55-4840	8.5mm x 40mm
55-4445	4.5mm x 45mm	55-4570*	5.5mm x 70mm	55-4730	7.5mm x 30mm	55-4845	8.5mm x 45mm
55-4450	4.5mm x 50mm	55-4575*	5.5mm x 75mm	55-4735	7.5mm x 35mm	55-4850	8.5mm x 50mm
55-4455	4.5mm x 55mm	55-4625	6.5mm x 25mm	55-4740	7.5mm x 40mm	55-4855	8.5mm x 55mm
55-4460*	4.5mm x 60mm	55-4630	6.5mm x 30mm	55-4745	7.5mm x 45mm	55-4860	8.5mm x 60mm
55-4465*	4.5mm x 65mm	55-4635	6.5mm x 35mm	55-4750	7.5mm x 50mm	55-4865*	8.5mm x 65mm
55-4470*	4.5mm x 70mm	55-4640	6.5mm x 40mm	55-4755	7.5mm x 55mm	55-4870*	8.5mm x 70mm
55-4525	5.5mm x 25mm	55-4645	6.5mm x 45mm	55-4760	7.5mm x 60mm	55-4875*	8.5mm x 75mm
55-4530	5.5mm x 30mm	55-4650	6.5mm x 50mm	55-4765*	7.5mm x 65mm	55-4880*	8.5mm x 80mm
55-4535	5.5mm x 35mm	55-4655	6.5mm x 55mm	55-4770*	7.5mm x 70mm		
55-4540	5.5mm x 40mm	55-4660	6.5mm x 60mm	55-4775*	7.5mm x 75mm		
55-4545	5.5mm x 45mm	55-4665*	6.5mm x 65mm	55-4780*	7.5mm x 80mm		

REDUCTION SCREWS - MULTI-AXIAL

59-3425	4.5mm x 25mm	59-3550	5.5mm x 50mm	59-3670*	6.5mm x 70mm	59-3825	8.5mm x 25mm
59-3430	4.5mm x 30mm	59-3555	5.5mm x 55mm	59-3675*	6.5mm x 75mm	59-3830	8.5mm x 30mm
59-3435	4.5mm x 35mm	59-3560*	5.5mm x 60mm	59-3680*	6.5mm x 80mm	59-3835	8.5mm x 35mm
59-3440	4.5mm x 40mm	59-3565*	5.5mm x 65mm	59-3725	7.5mm x 25mm	59-3840	8.5mm x 40mm
59-3445	4.5mm x 45mm	59-3570*	5.5mm x 70mm	59-3730	7.5mm x 30mm	59-3845	8.5mm x 45mm
59-3450	4.5mm x 50mm	59-3575*	5.5mm x 75mm	59-3735	7.5mm x 35mm	59-3850	8.5mm x 50mm
59-3455	4.5mm x 55mm	59-3625	6.5mm x 25mm	59-3740	7.5mm x 40mm	59-3855	8.5mm x 55mm
59-3460*	4.5mm x 60mm	59-3630	6.5mm x 30mm	59-3745	7.5mm x 45mm	59-3860	8.5mm x 60mm
59-3465*	4.5mm x 65mm	59-3635	6.5mm x 35mm	59-3750	7.5mm x 50mm	59-3865*	8.5mm x 65mm
59-3470*	4.5mm x 70mm	59-3640	6.5mm x 40mm	59-3755	7.5mm x 55mm	59-3870*	8.5mm x 70mm
59-3525	5.5mm x 25mm	59-3645	6.5mm x 45mm	59-3760	7.5mm x 60mm	59-3875*	8.5mm x 75mm
59-3530	5.5mm x 30mm	59-3650	6.5mm x 50mm	59-3765*	7.5mm x 65mm	59-3880*	8.5mm x 80mm
59-3535	5.5mm x 35mm	59-3655	6.5mm x 55mm	59-3770*	7.5mm x 70mm		
59-3540	5.5mm x 40mm	59-3660	6.5mm x 60mm	59-3775*	7.5mm x 75mm		
59-3545	5.5mm x 45mm	59-3665*	6.5mm x 65mm	59-3780*	7.5mm x 80mm		

REDUCTION SCREWS - MONO-AXIAL

59-4425	4.5mm x 25mm	59-4545	5.5mm x 45mm	59-4665*	6.5mm x 65mm	59-4775*	7.5mm x 75mm
59-4430	4.5mm x 30mm	59-4550	5.5mm x 50mm	59-4670*	6.5mm x 70mm	59-4780*	7.5mm x 80mm
59-4435	4.5mm x 35mm	59-4555	5.5mm x 55mm	59-4675*	6.5mm x 75mm	59-4825	8.5mm x 25mm
59-4440	4.5mm x 40mm	59-4560*	5.5mm x 60mm	59-4680*	6.5mm x 80mm	59-4830	8.5mm x 30mm
59-4445	4.5mm x 45mm	59-4565*	5.5mm x 65mm	59-4725	7.5mm x 25mm	59-4835	8.5mm x 35mm
59-4450	4.5mm x 50mm	59-4570*	5.5mm x 70mm	59-4730	7.5mm x 30mm	59-4840	8.5mm x 40mm
59-4455	4.5mm x 55mm	59-4575*	5.5mm x 75mm	59-4735	7.5mm x 35mm	59-4845	8.5mm x 45mm
59-4460*	4.5mm x 60mm	59-4625	6.5mm x 25mm	59-4740	7.5mm x 40mm	59-4850	8.5mm x 50mm
59-4465*	4.5mm x 65mm	59-4630	6.5mm x 30mm	59-4745	7.5mm x 45mm	59-4855	8.5mm x 55mm
59-4470*	4.5mm x 70mm	59-4640	6.5mm x 40mm	59-4750	7.5mm x 50mm	59-4860	8.5mm x 60mm
59-4525	5.5mm x 25mm	59-4645	6.5mm x 45mm	59-4755	7.5mm x 55mm	59-4865*	8.5mm x 65mm
59-4530	5.5mm x 30mm	59-4650	6.5mm x 50mm	59-4760	7.5mm x 60mm	59-4870*	8.5mm x 70mm
59-4535	5.5mm x 35mm	59-4655	6.5mm x 55mm	59-4765*	7.5mm x 65mm	59-4875*	8.5mm x 75mm
59-4540	5.5mm x 40mm	59-4660	6.5mm x 60mm	59-4770*	7.5mm x 70mm	59-4880*	8.5mm x 80mm



Caution: Federal law (USA) restricts these devices to sale by or on the order of a physician. Products licensed under US patents 5,466,237 and 5,474,555 and covered by Blackstone patents 6,540,748 and 6,524,310.

Refer to the instructions for use supplied with product for specific information on indications for use, contraindications, warnings, precautions, adverse reaction information, and sterilization.